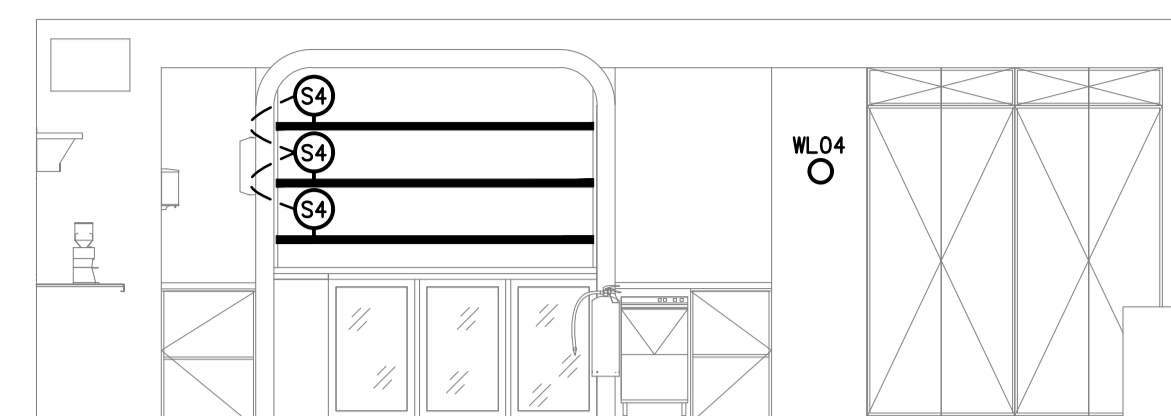


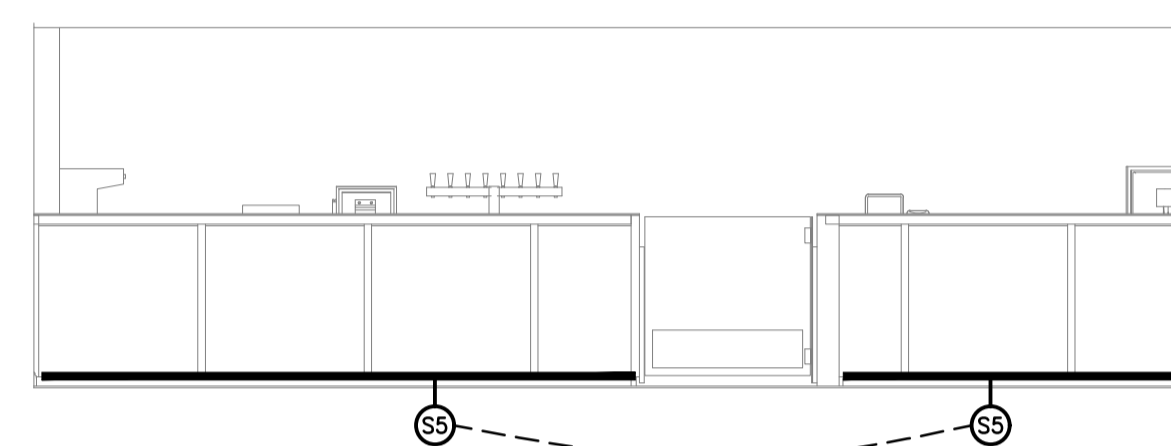
1 Proposed Bistro Front Bar Front Elevation  
1 : 50



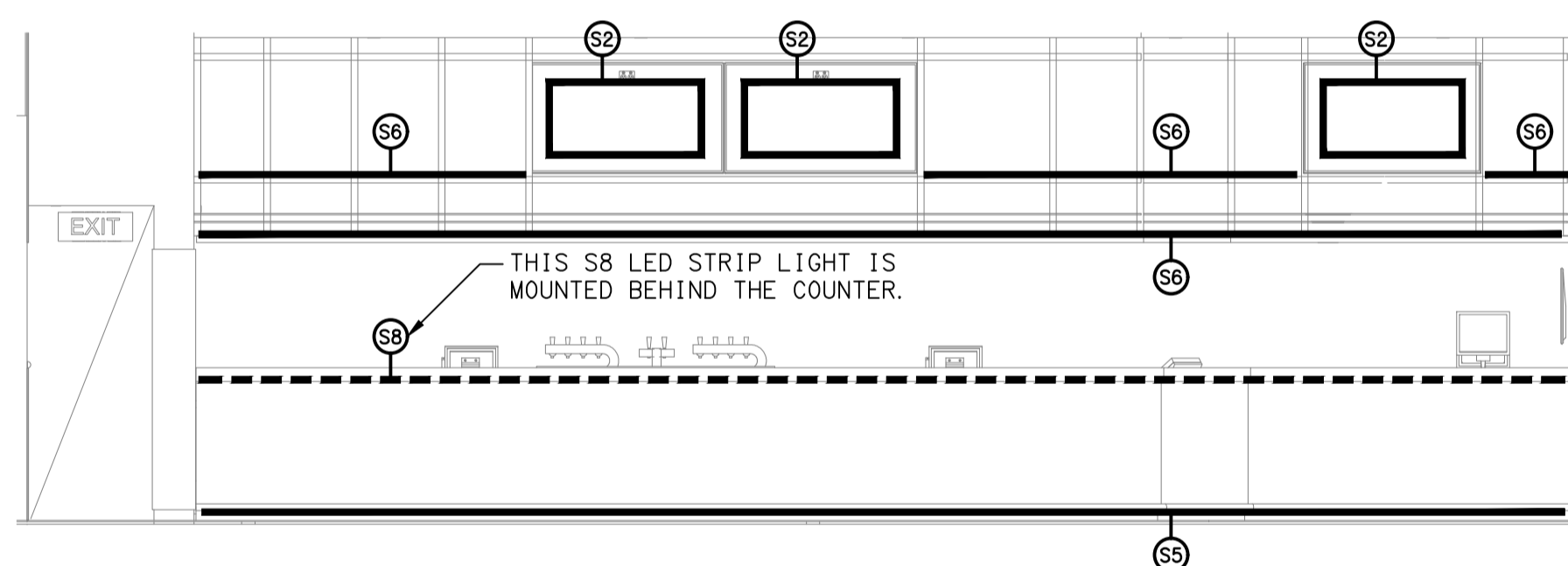
2 Proposed Gaming Bar Back Wall Elevation  
1 : 50



3 Proposed Bistro Back Bar Elevation  
1 : 50



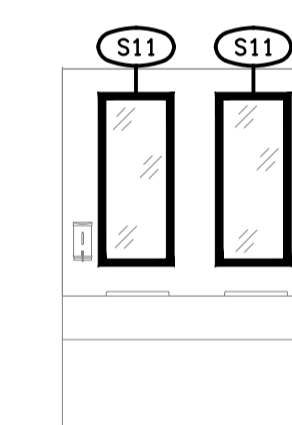
7 Proposed Gaming Bar Front Counter Elevation  
1 : 50



4 Proposed Sports Bar Front Bar Front Elevation  
1 : 50



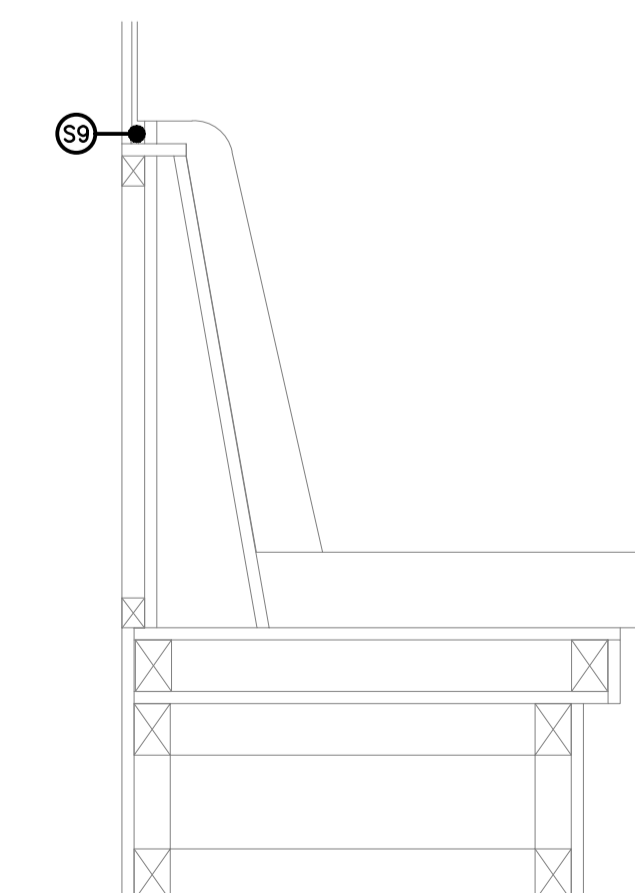
8 Bistro Female Amenities  
1 : 50



9 Sports Bar Female Amenities  
1 : 50



5 Proposed Sports Bar Back Bar Elevation  
1 : 50



6 Private Dining Booth Elevation  
1 : 10

D	CONSTRUCTION	19/03/2026
REV:	DESCRIPTION:	DATE:

**ELECTRICAL DESIGN GROUP**  
ELECTRICAL BUILDING SERVICES CONSULTANTS

BRISBANE: P.O. Box 15 Sherwood Qld 4075  
Phone: (07) 3278 4375  
Email: brisbane@edg.net.au  
Web: www.edg.net.au

ELECTRICAL DESIGN GROUP BRISBANE / TRADING AS:  
PTY LTD ACN 092 710 793 ELECTRICAL DESIGN GROUP

PROJECT:  
**JIMBOOMBA TAVERN**

SITE ADDRESS:  
CORNER MT LINDESAY HIGHWAY &  
CUSACKS LANE, JIMBOOMBA

SCALE: 1:50 UNO SHEET SIZE: AT A1

DRAWING TITLE:  
**ELECTRICAL SERVICES  
JOINERY & WALL  
LIGHTING ELEVATIONS**

PROJECT NO. DRAWING NO. REVISION:  
**C3630a E07 D**